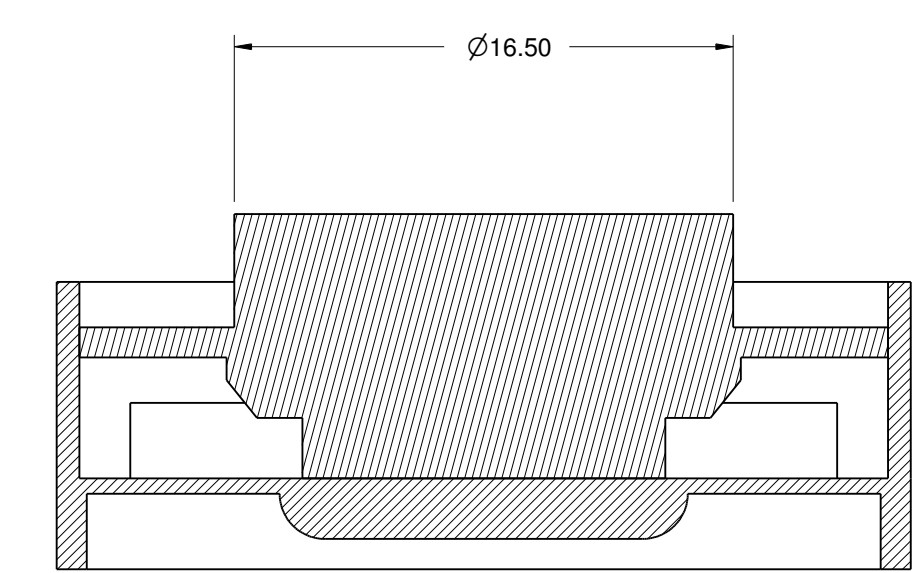
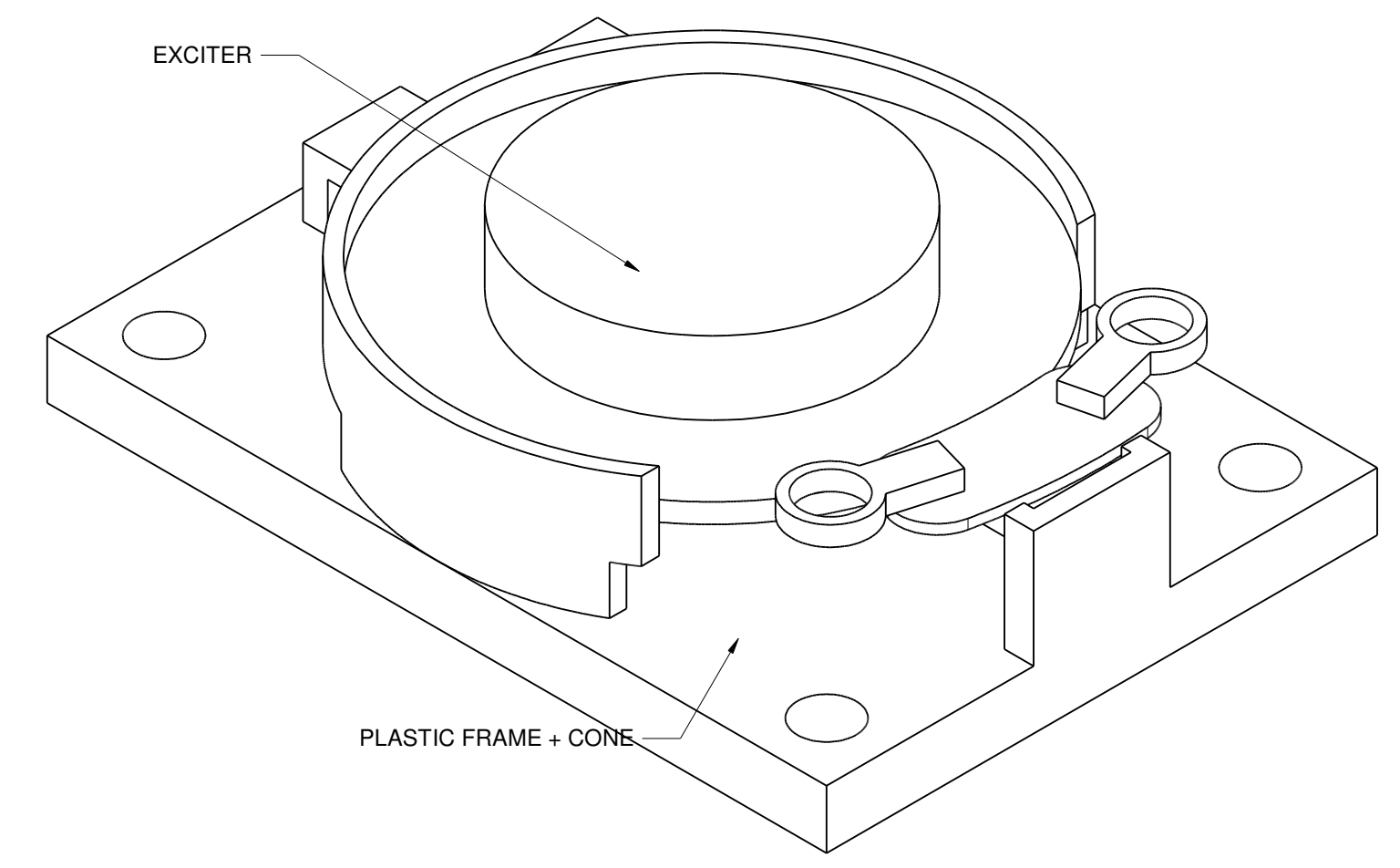
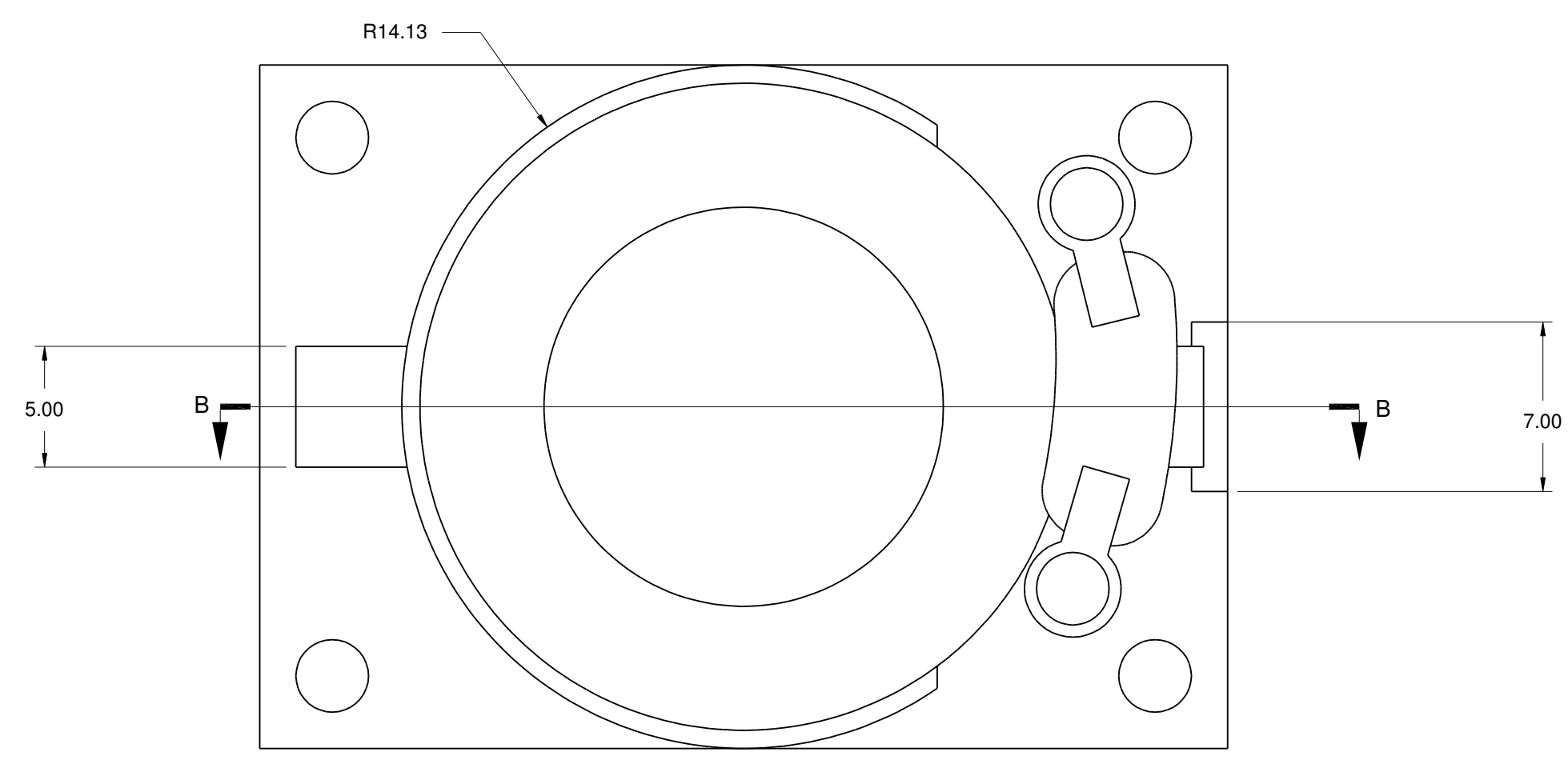
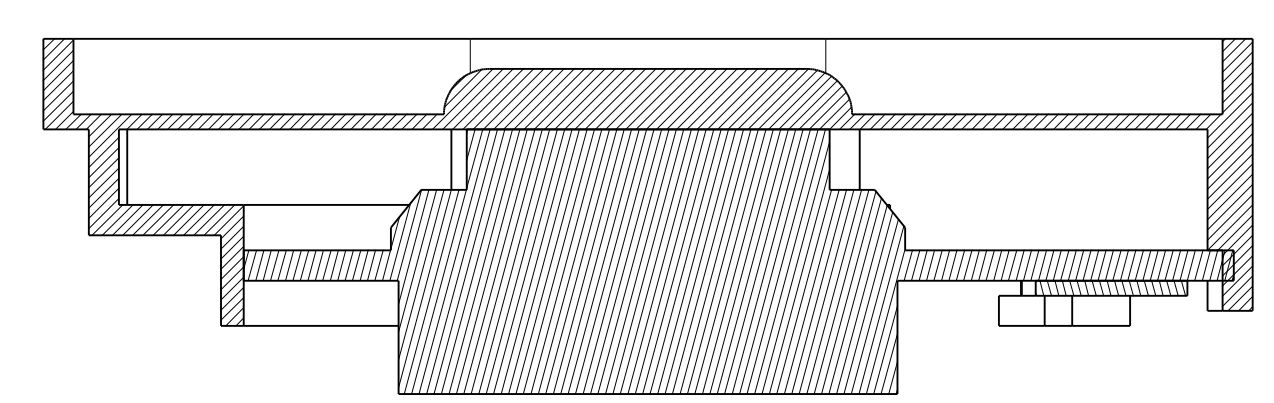
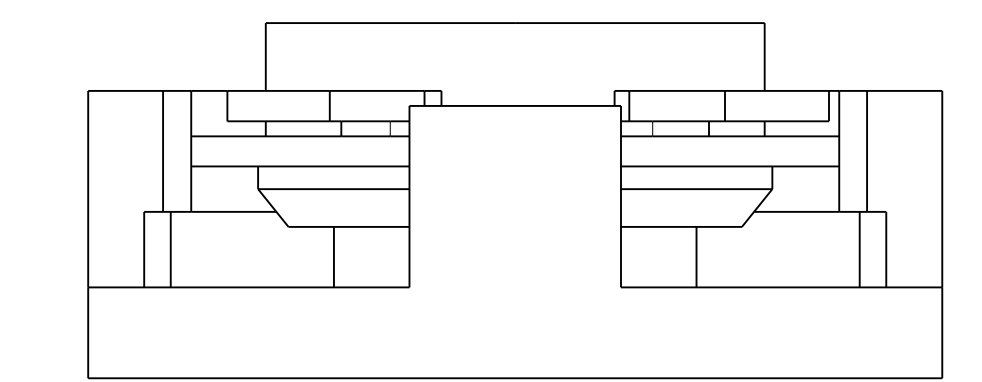
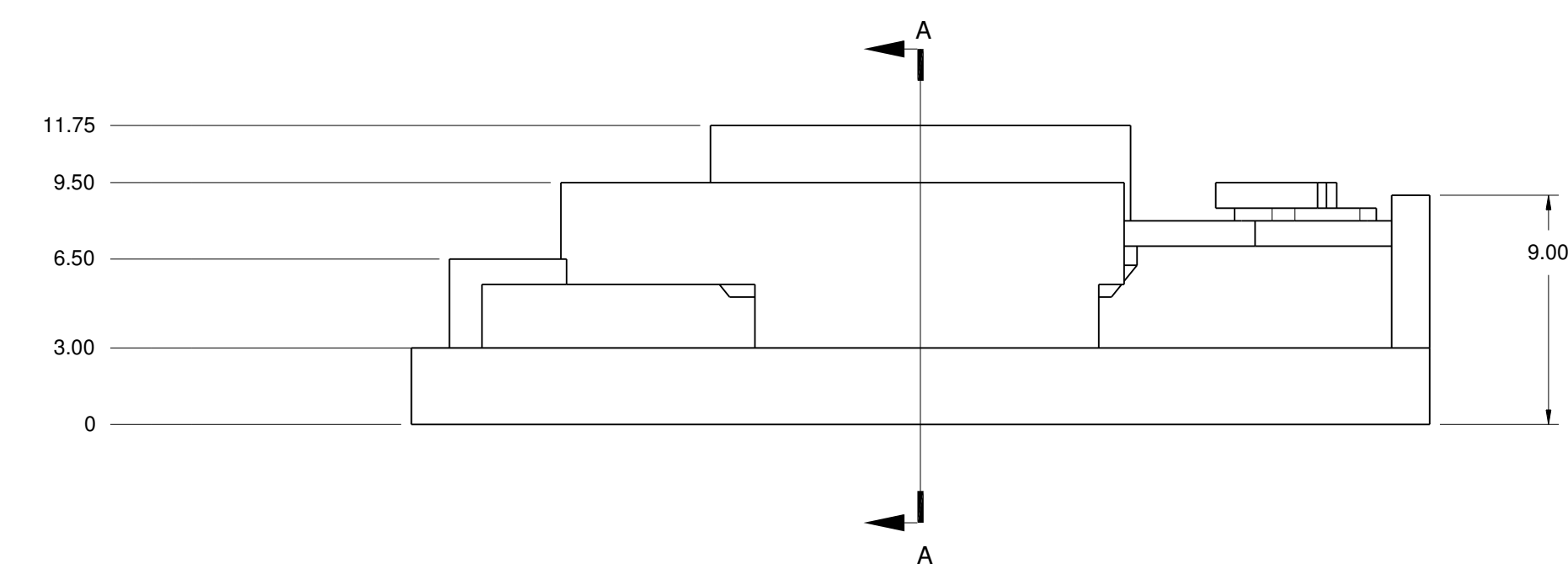


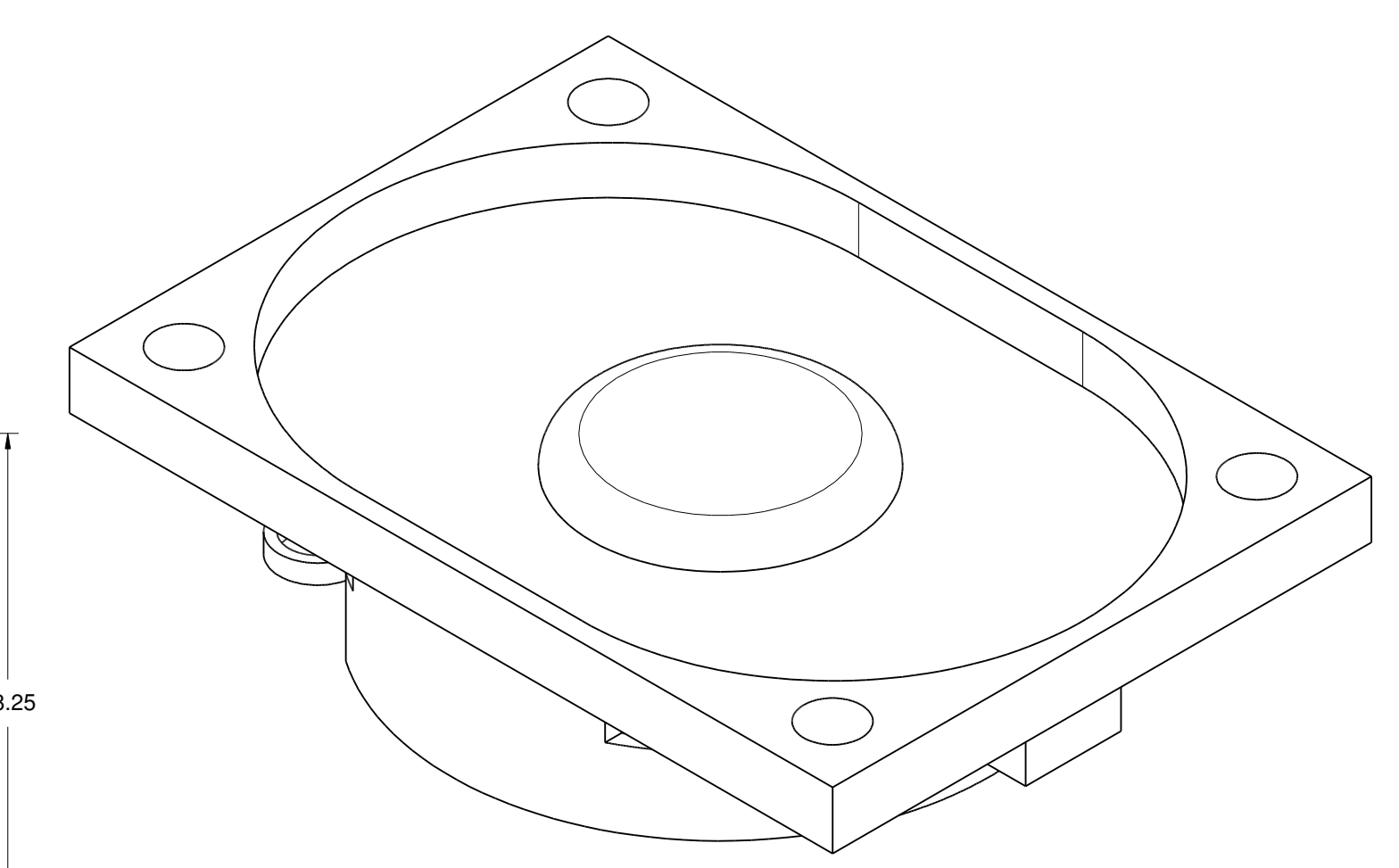
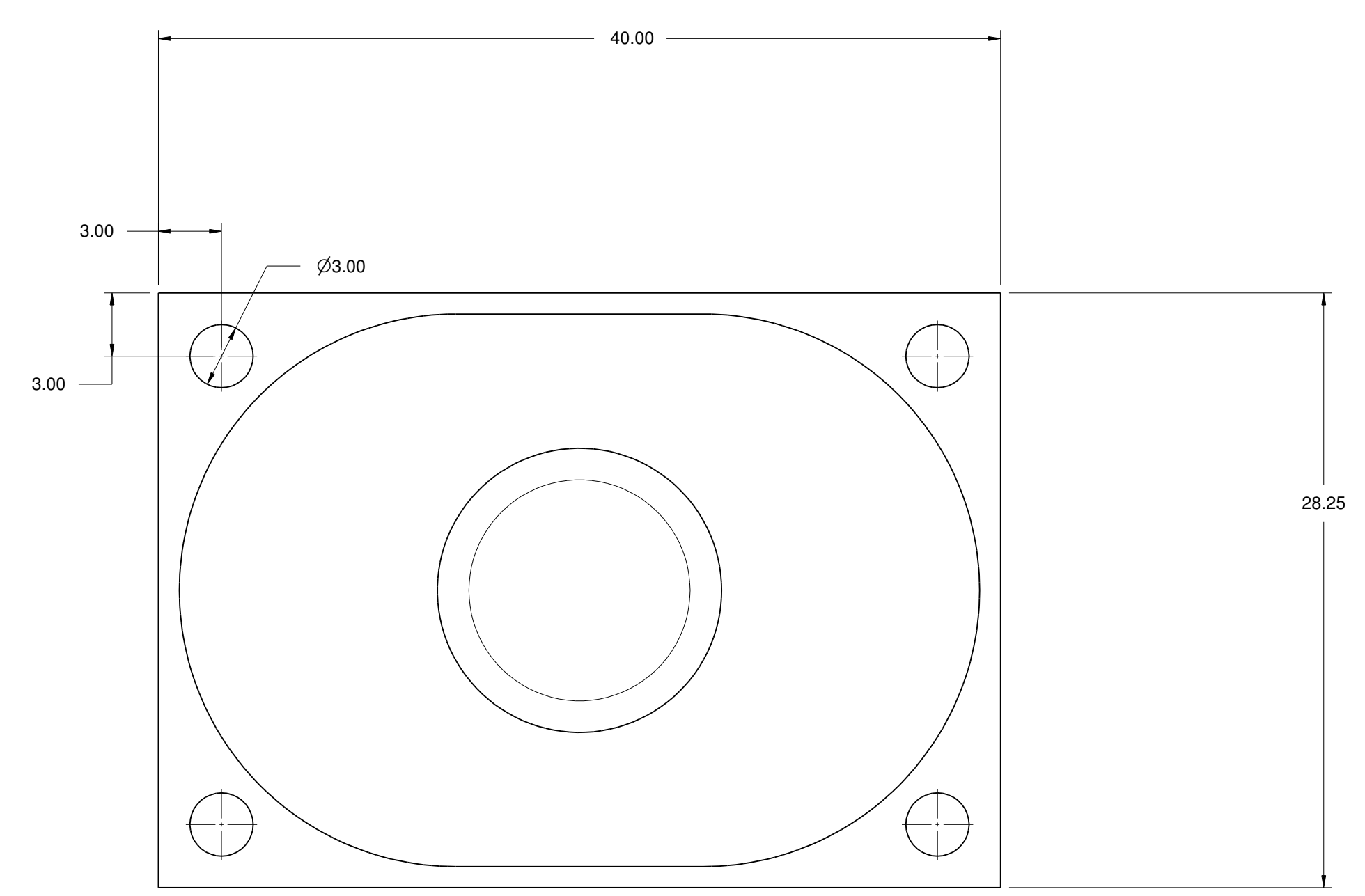
REVISIONS				
ZONE	REV	DESCRIPTION	DATE	APPROVED



Section A-A



Section B-B



ALL TOLERANCES +/- .5MM UNLESS NOTED

SIZE	FSDM NO.	DWG NO.	REV
D		WSP-4012V	
SCALE	1:1	SHEET	1 OF 1

