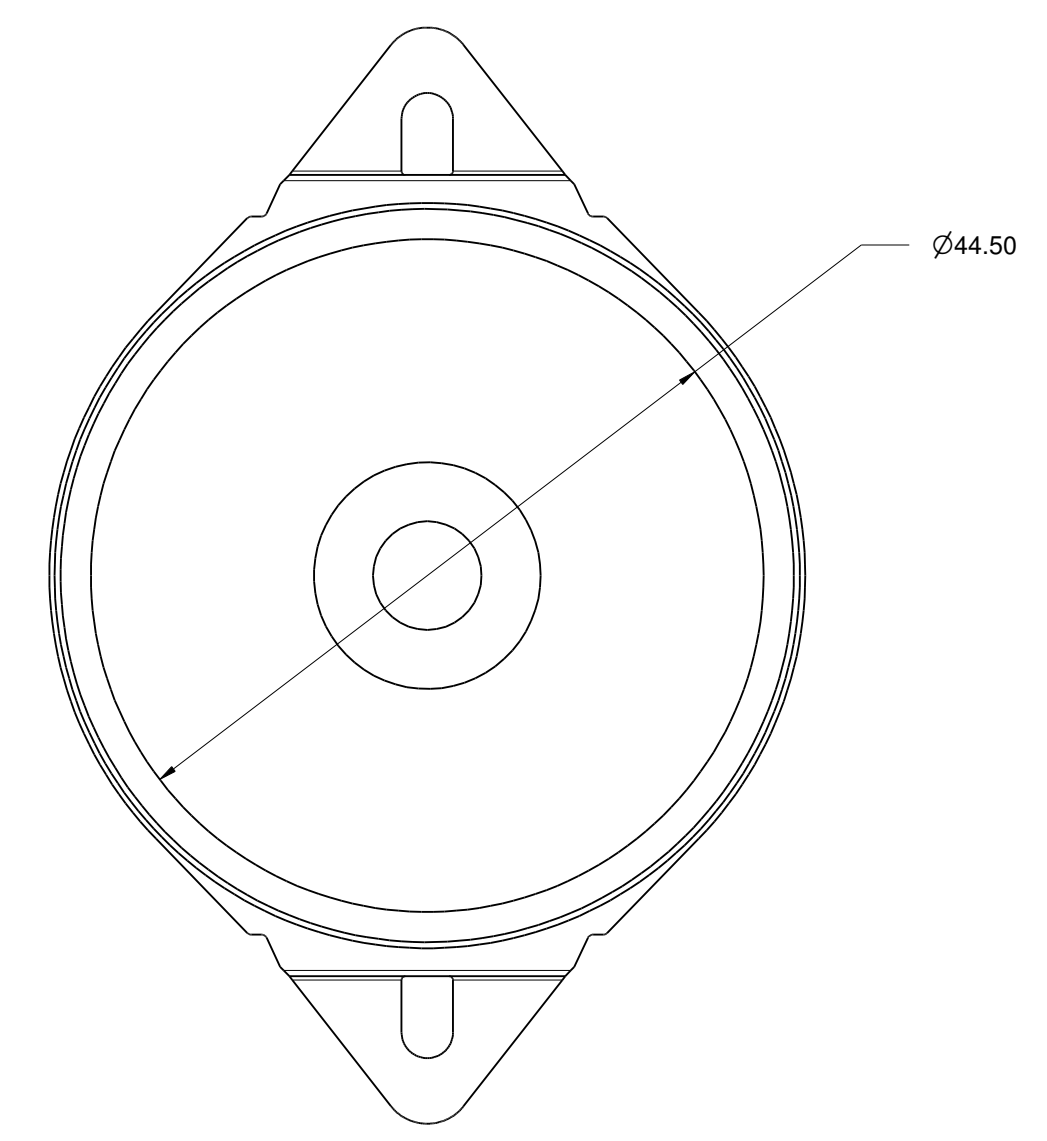
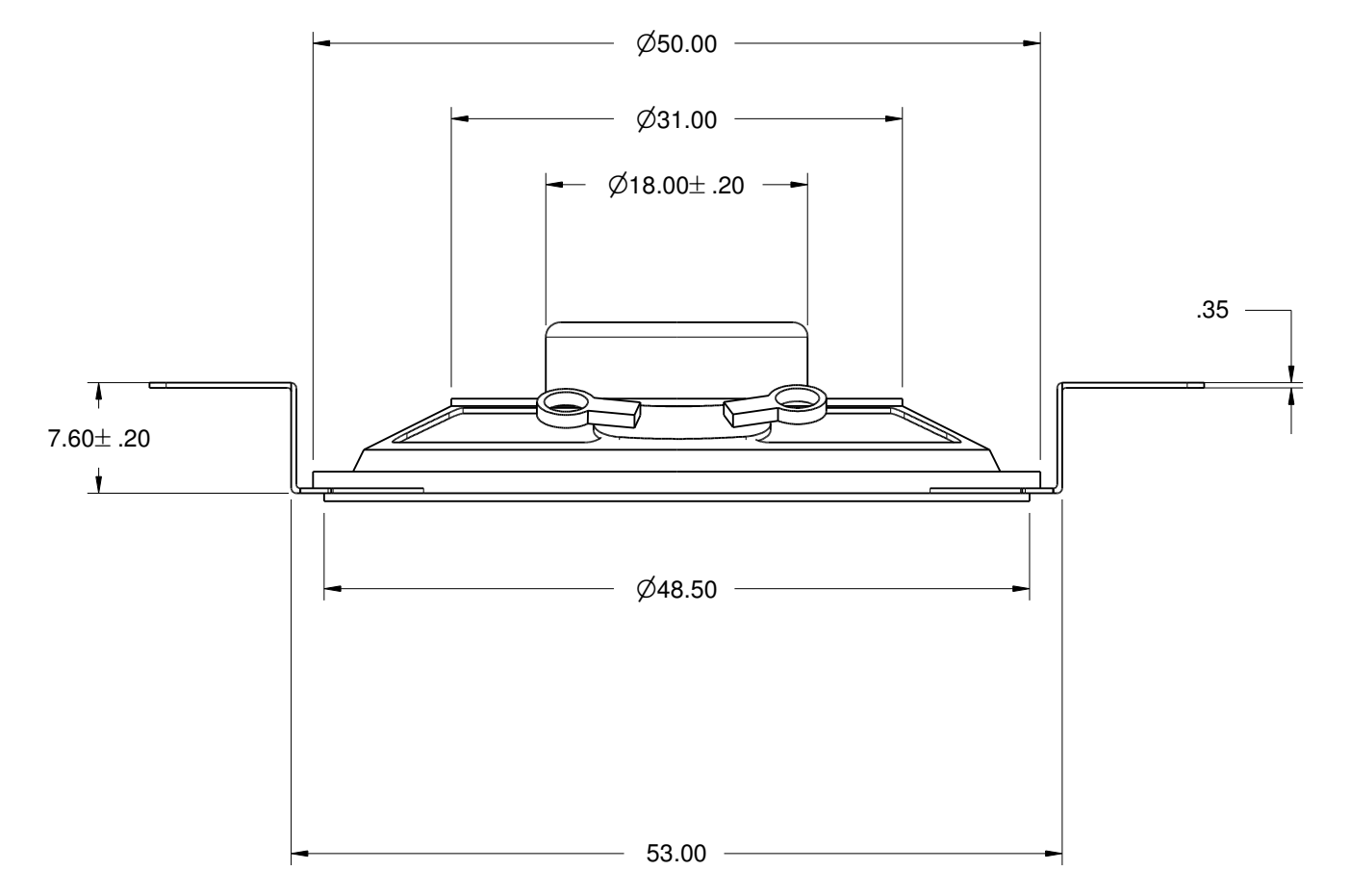
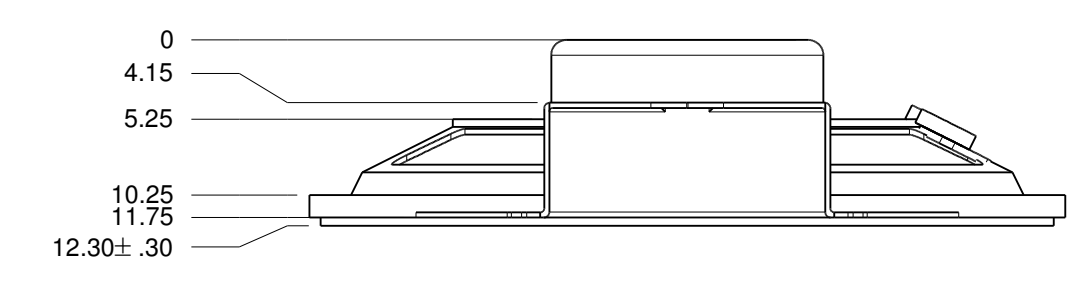
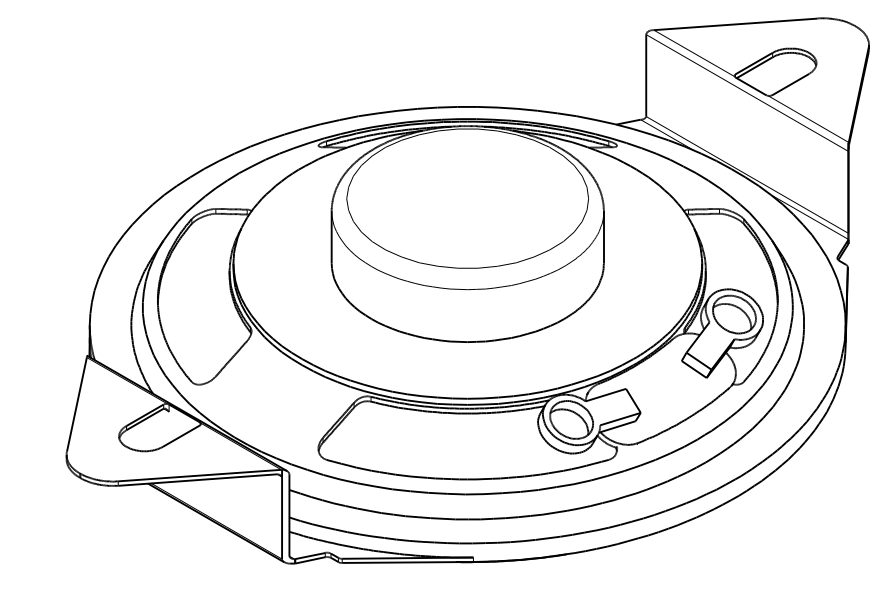
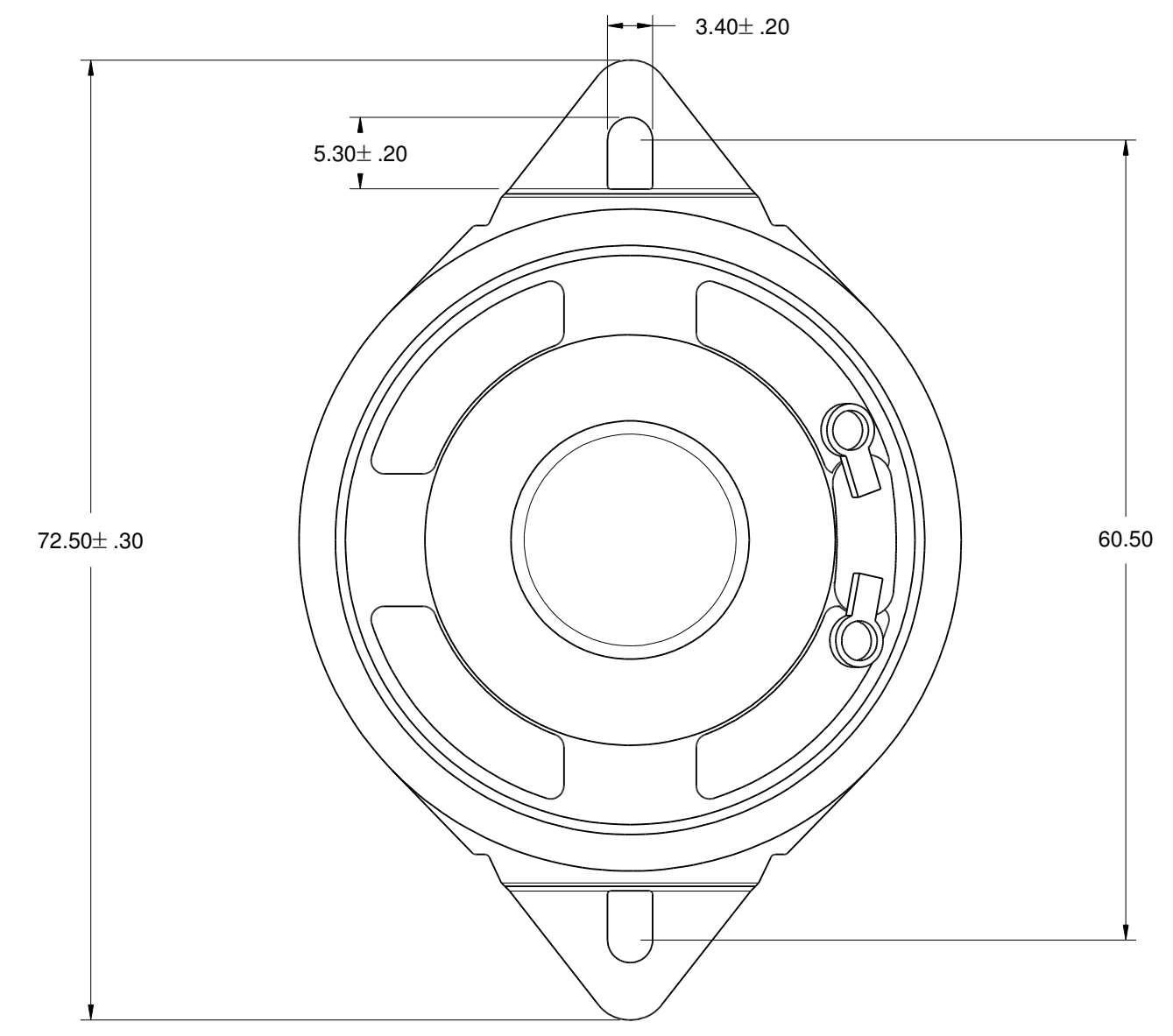


REVISIONS				
ZONE	REV	DESCRIPTION	DATE	APPROVED



ALL TOLERANCES +/- .5MM UNLESS NOTED



SIZE	FSDM NO.	DWG NO.	REV
D		WSP-5008-59	
SCALE	1:1	SHEET	1 OF 1