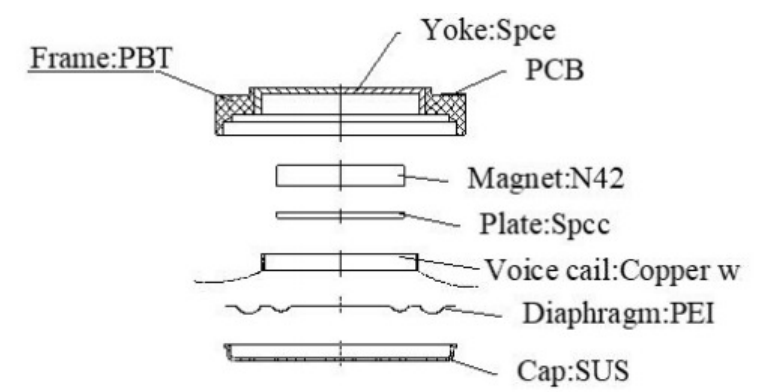
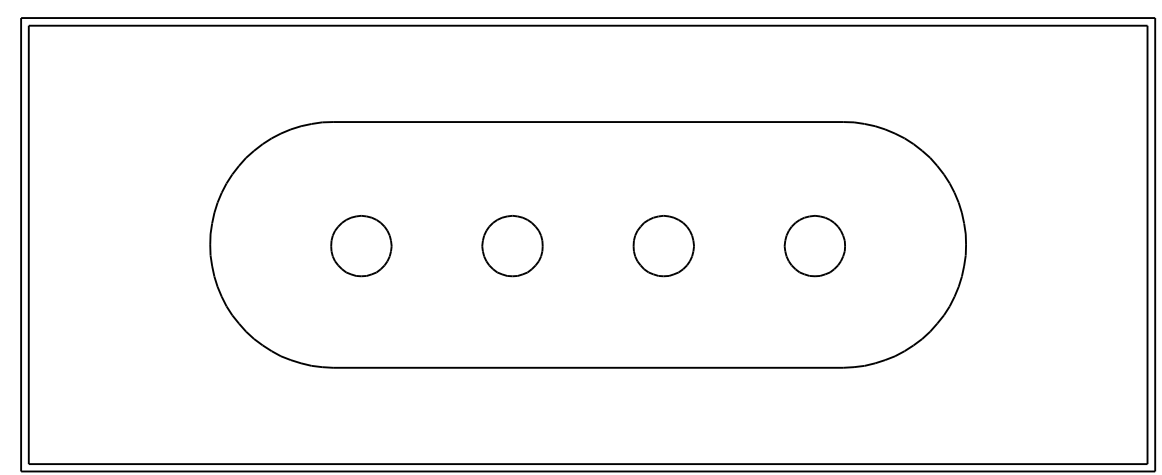
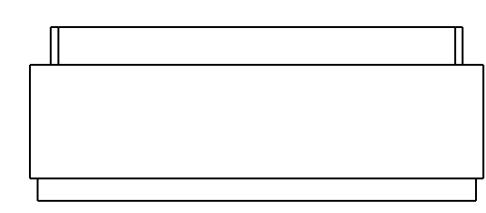
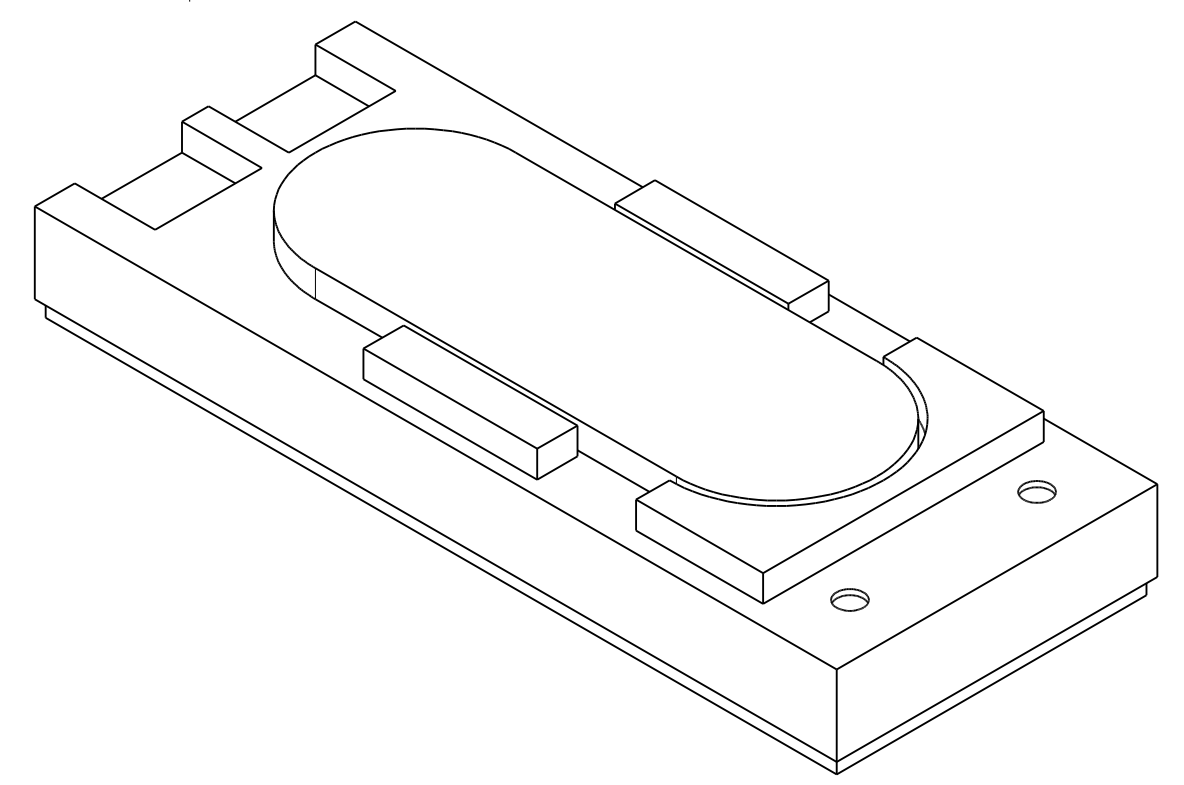
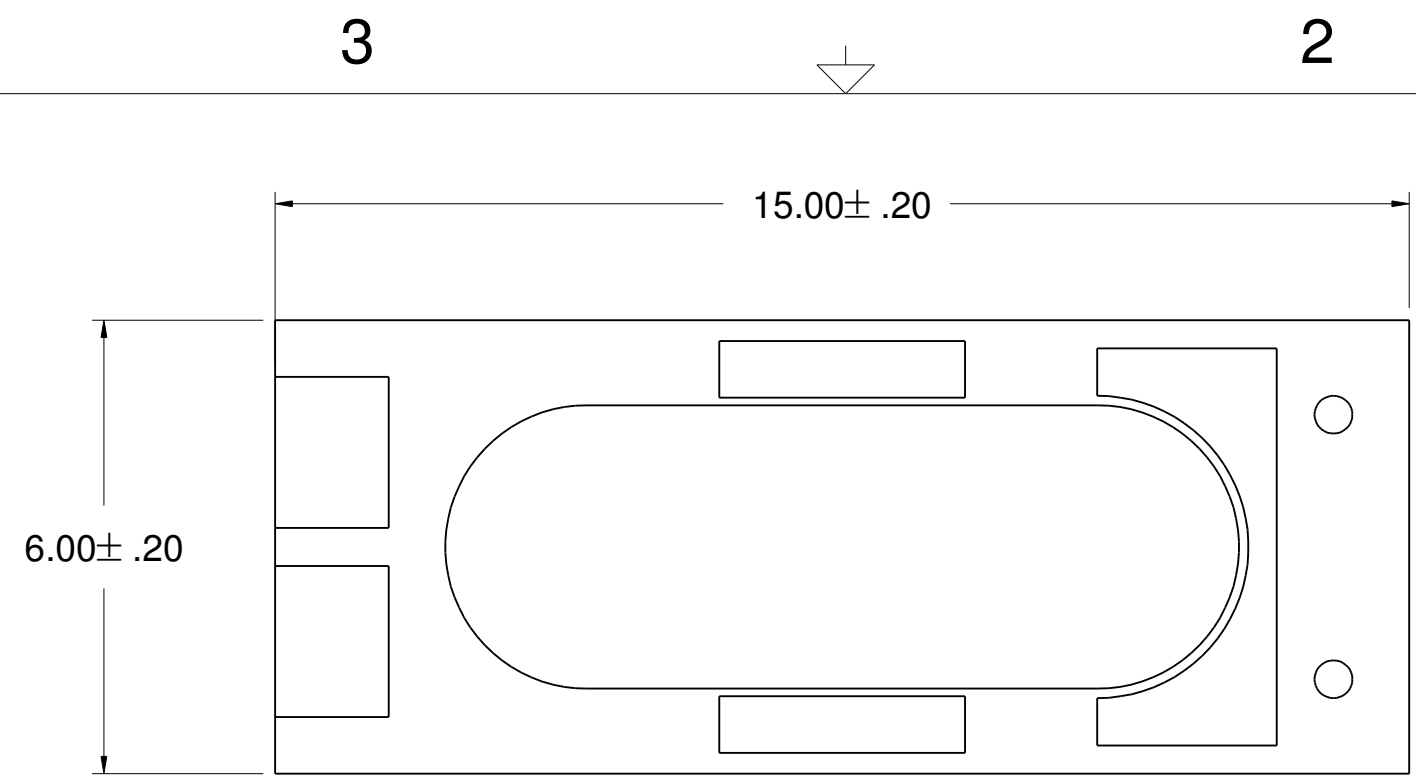


REVISIONS				
ZONE	REV	DESCRIPTION	DATE	APPROVED
A				



No.	Part Name	Material	Quantity
1	PCB	FR-4	1
2	Frame	PBT	1
3	Magnet	NdFeB	1
4	Plate	SPCC	1
5	Voice Coil	Cu	1
6	Membrane	PEI	1
7	Cap	SUS	1
8	Gasket	Black Net	1



211 N. FIRST ST.
MINNEAPOLIS, MN 55401

ALL DIMENSIONS +/- .5MM UNLESS NOTED	DRAWN BWS	DATE 09/29/2019	ALL DIMENSIONS PROVIDED FOR REF. ONLY	
	CHECKED		RC-1506	
REFER TO 3D MODEL FOR MISSING DIMENSIONS	QA		SIZE C	
	MFG		SCALE 1:1	SHEET 1 OF 1
	APPROVED			