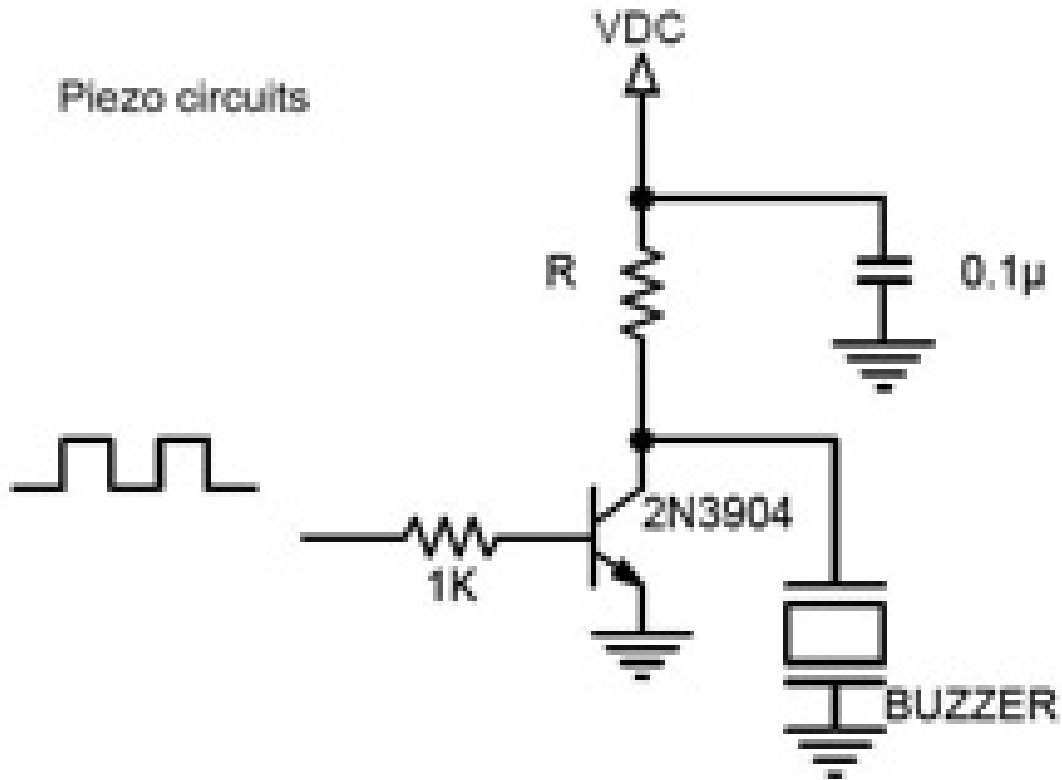


Piezo circuits



#  $R = VDC \cdot 100(\text{ohm})$   
 If  $VDC = 5V$   
 $R = 5 \cdot 100$   
 $R = 500 \text{ ohm}$

