

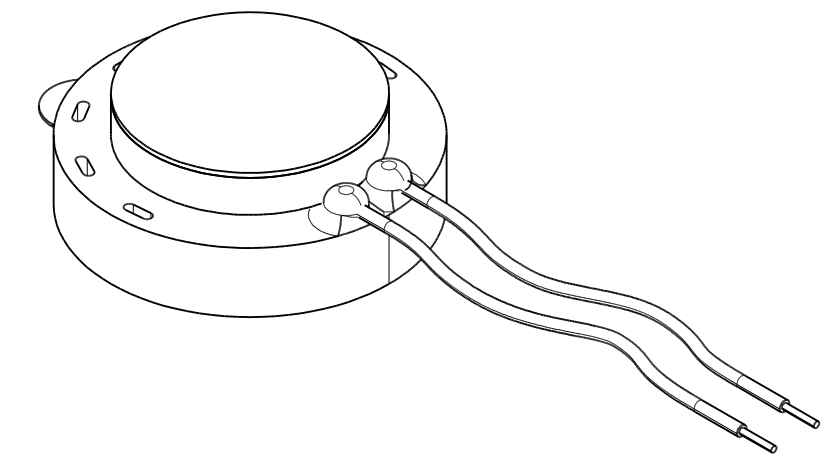
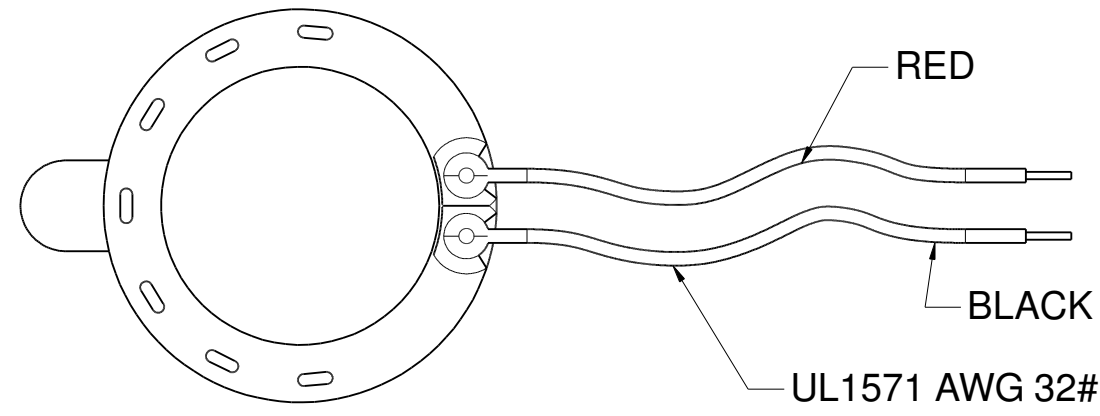
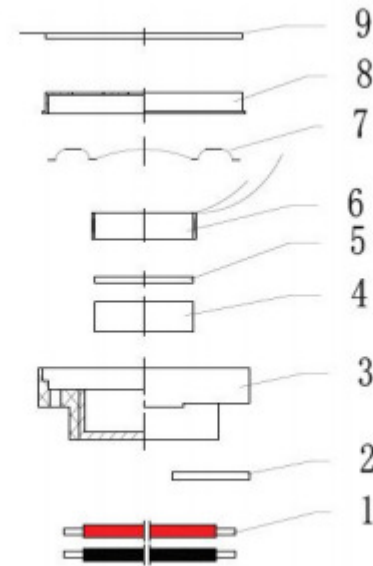
4

3

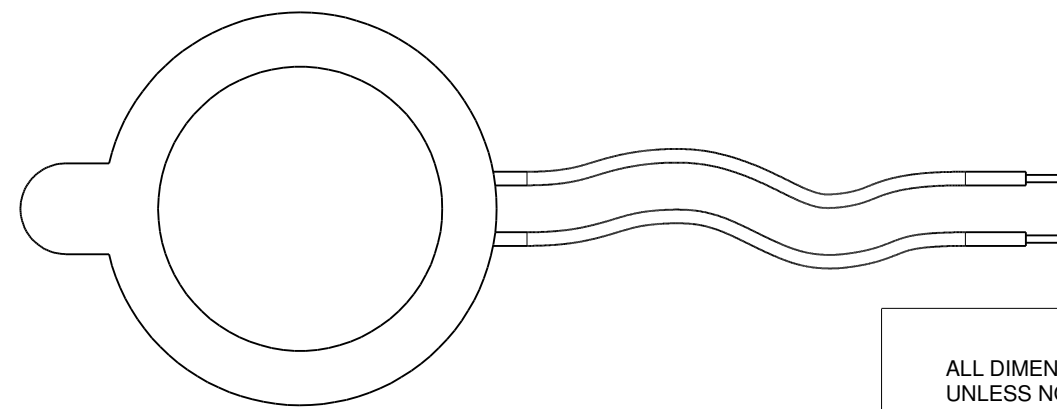
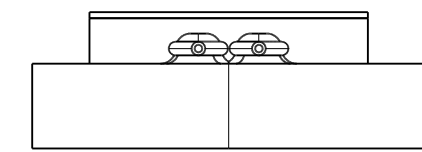
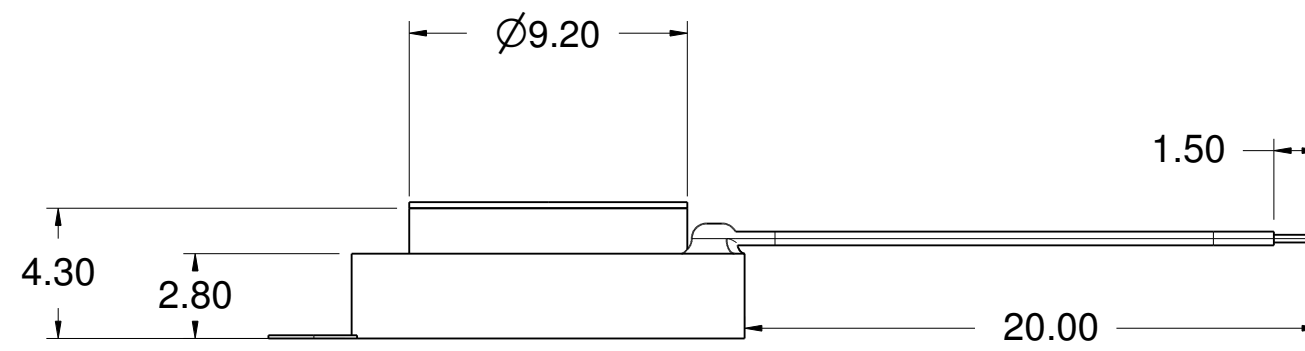
2

1

REVISIONS				
ZONE	REV	DESCRIPTION	DATE	APPROVED
A				



No.	Part Name	Material	Quantity
1	UL1571 AWG32#	Wire Red/Black	2
2	PCB	Epoxy glass fiber + Copper	1
3	Frame	PBT	1
4	Magnet	Nd Fe B-N38	1
5	Plate	SPCC	1
6	Voice Coil	Copper	1
7	Membrane	PEN	1
8	Cap	SUS 304	1
9	Gasket	Polyester fiber	1



211 N. FIRST ST.
MINNEAPOLIS, MN 55401

ALL DIMENSIONS +/- .5MM UNLESS NOTED	DRAWN	DATE	ALL DIMENSIONS PROVIDED FOR REF. ONLY	
	BWS	11/16/2019		
REFER TO 3D MODEL FOR MISSING DIMENSIONS	CHECKED		SP-1304	
	QA			
	MFG			
	APPROVED		SIZE	
			C	
			SCALE	1:1
			SHEET	1 OF 1

4

3

2

1