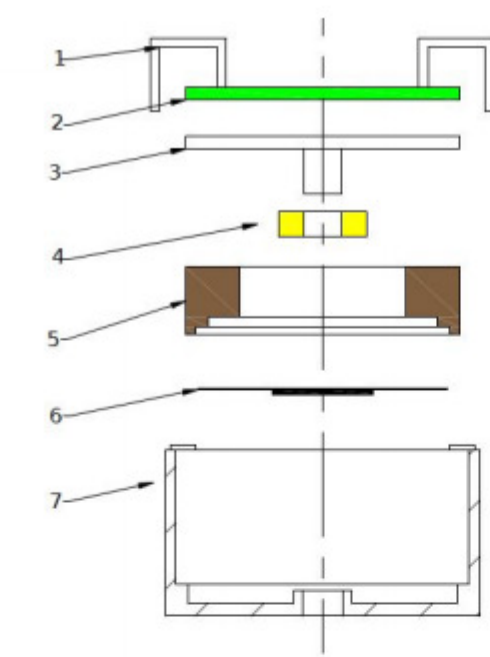
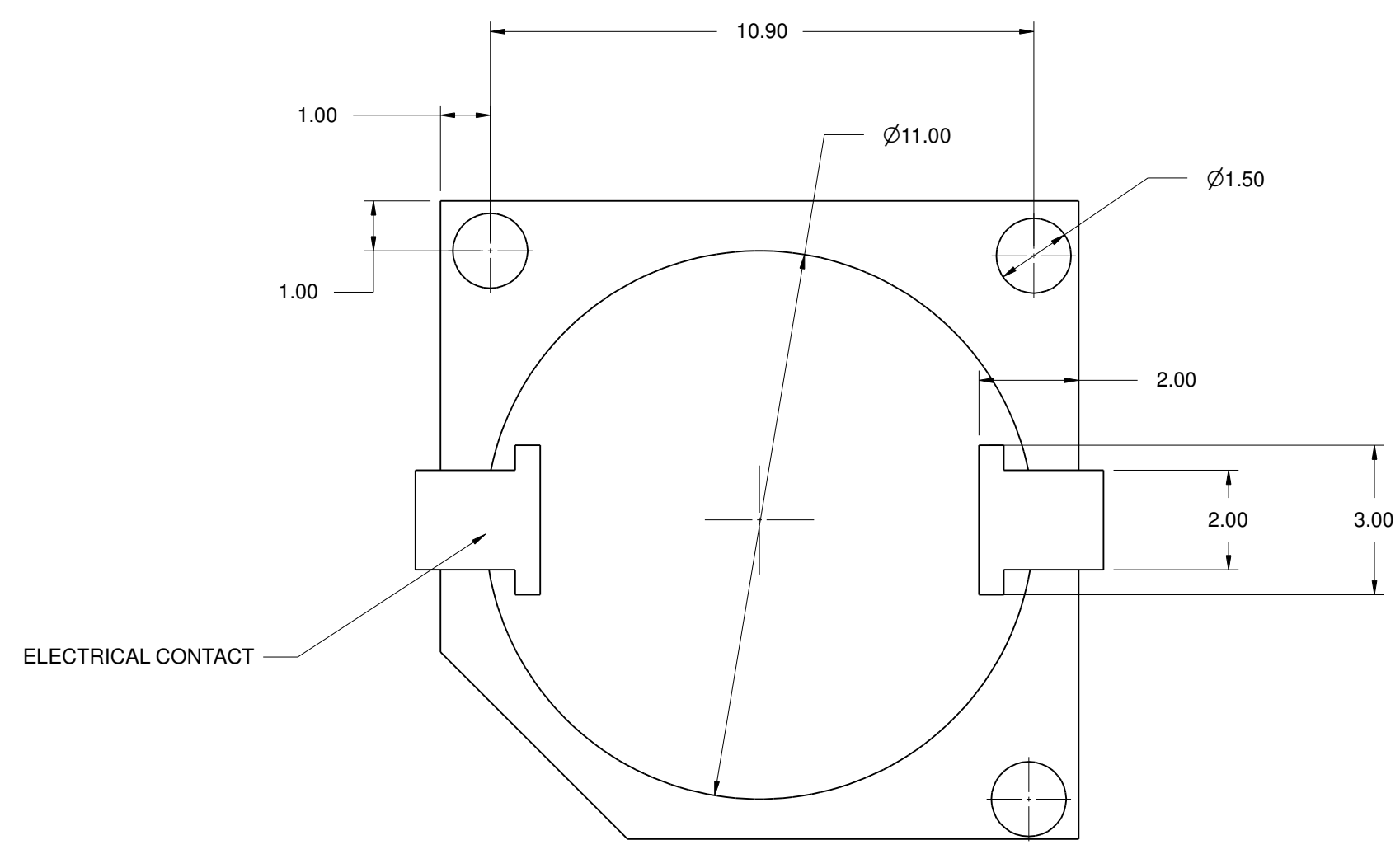
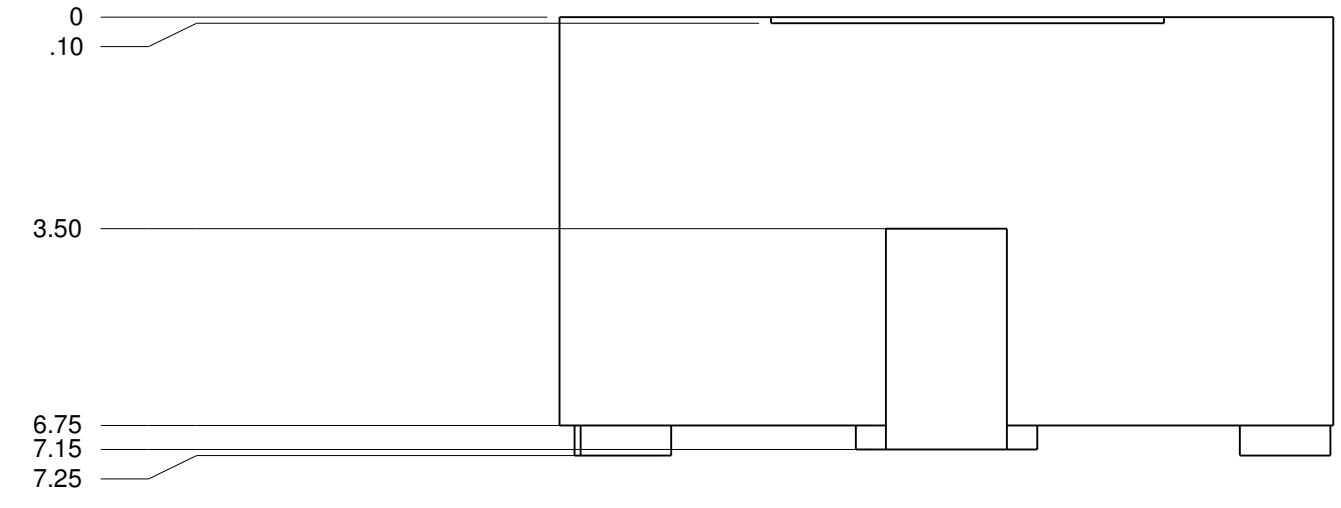
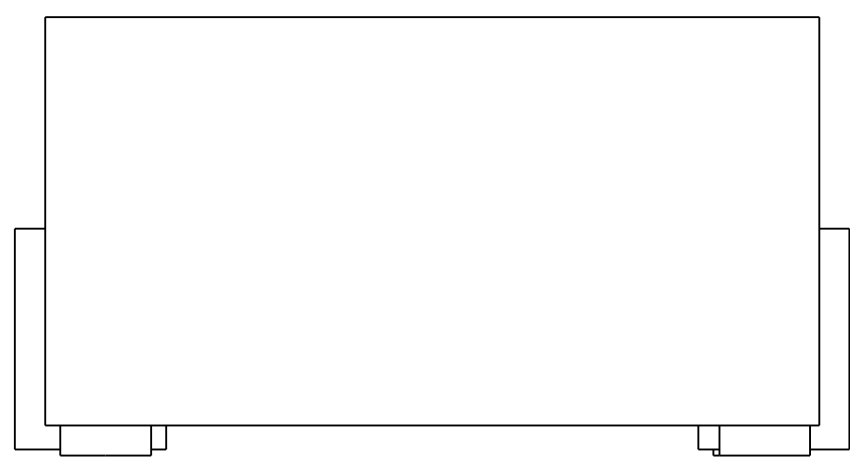
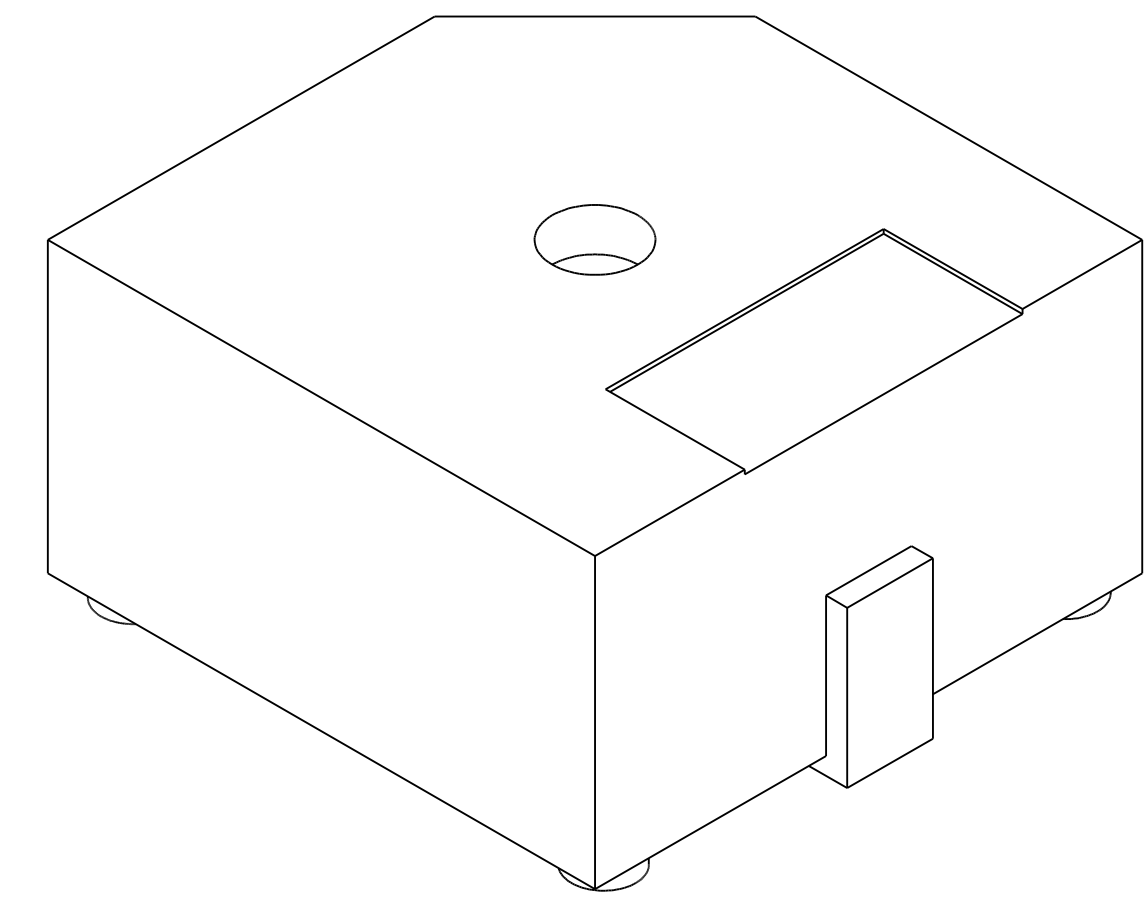
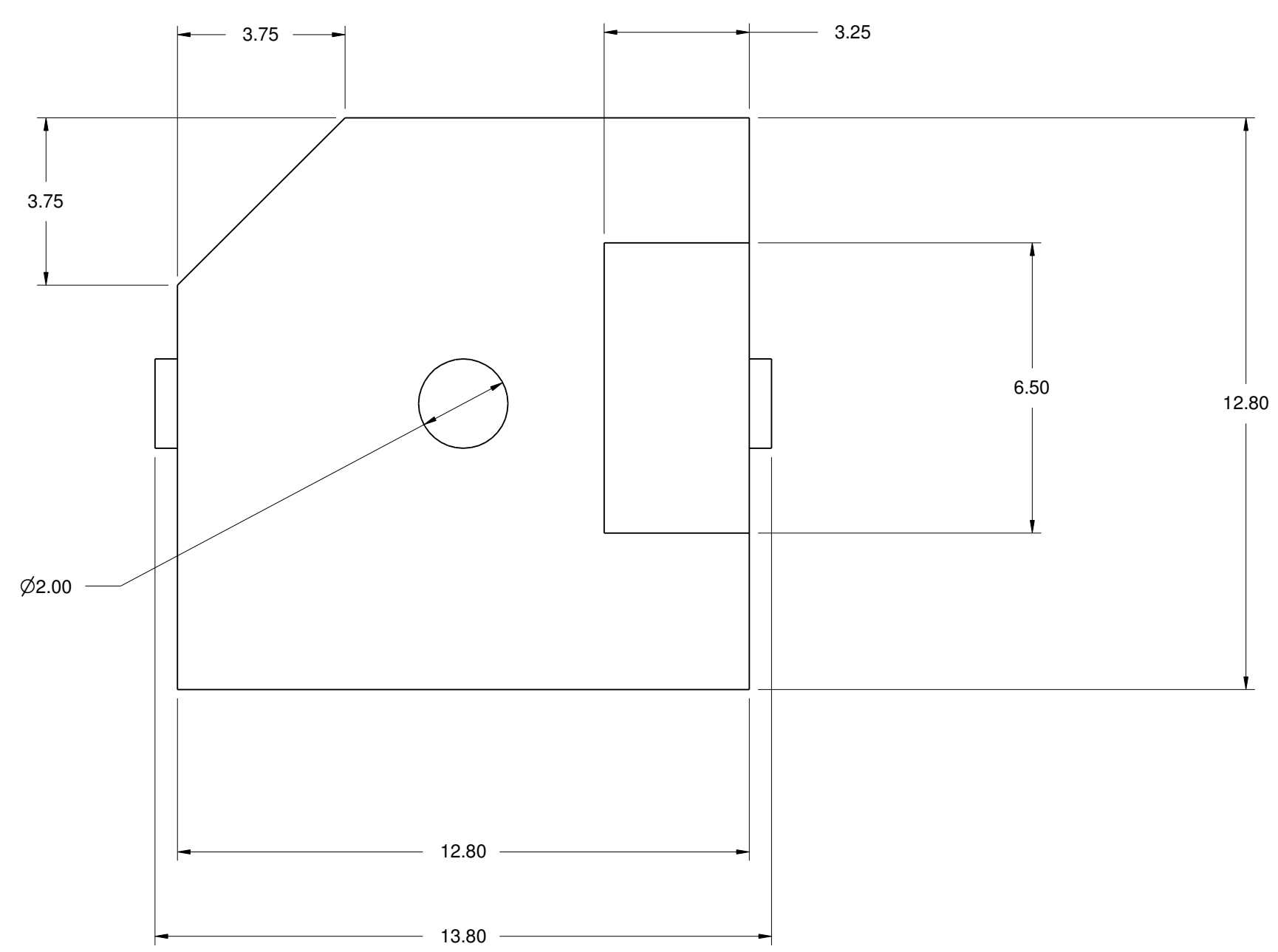


REVISIONS				
ZONE	REV	DESCRIPTION	DATE	APPROVED



No.	Part Name	Material	Quantity
1	Lead	Copper	2
2	PCB	Epoxy Glass Fiber Cloth + Copper	1
3	Core	Ferrum	1
4	Coil	Copper	1
5	Magnet Ring	Poly+Ferrite	1
6	Diaphragm	Ferrum	1
7	Case	PPS	1



ALL TOLERANCES +/- .5MM UNLESS NOTED

SIZE	FSCM NO.	DWG NO.	REV
D		WT-1307	
SCALE	1:1	SHEET	1 OF 1