

4

3

2

1

D

D

C

C

B

B

A

A

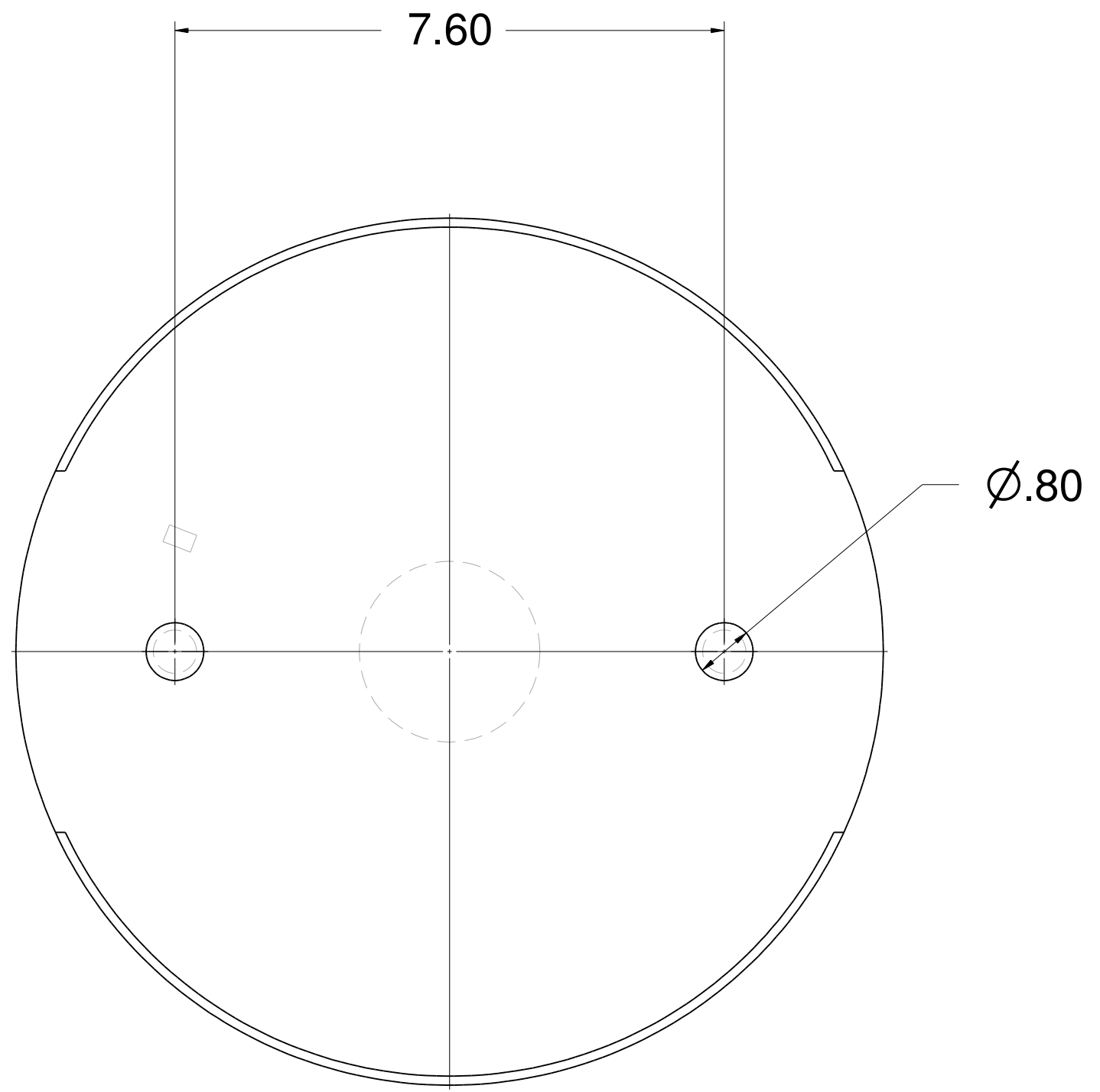
4

3

2

1

REVISIONS				
ZONE	REV	DESCRIPTION	DATE	APPROVED
	A			



211 N. FIRST ST.  
MINNEAPOLIS, MN 55401

ALL DIMENSIONS +/- .5MM UNLESS NOTED	DRAWN	DATE	ALL DIMENSIONS PROVIDED FOR REF. ONLY	
	BWS	03/28/2020		
REFER TO 3D MODEL FOR MISSING DIMENSIONS	CHECKED		WST-1201UX_PCB	
	QA			
	MFG			
	APPROVED		SIZE	
			C	
			SCALE	1:1
			SHEET	1 OF 1